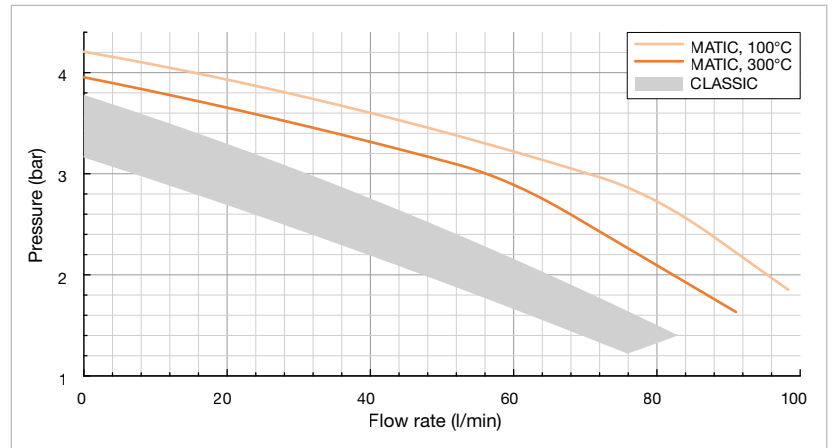




# CLASSIC Oil TT-390

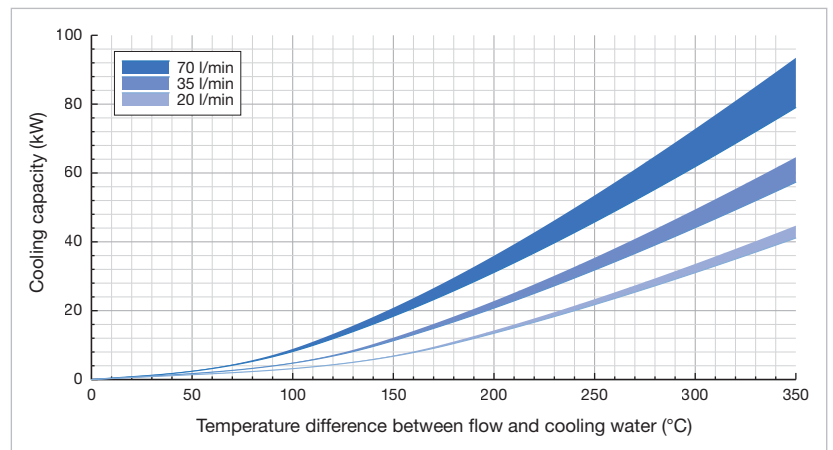
- Mould emptying
- Leak stop operation
- Flow meter
- External measurement

## Pump characteristic curve



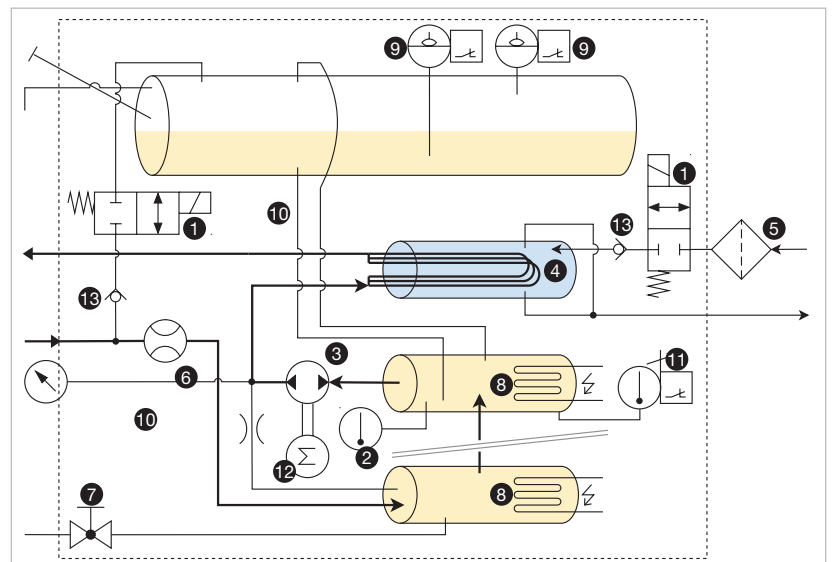
Performance data with Tool-Therm SH3 heat transfer oil

## Cooling capacity



Performance data min. at 30 l/min @ 1.5 bar; max. at 72 l/min @ 8 bar cooling water

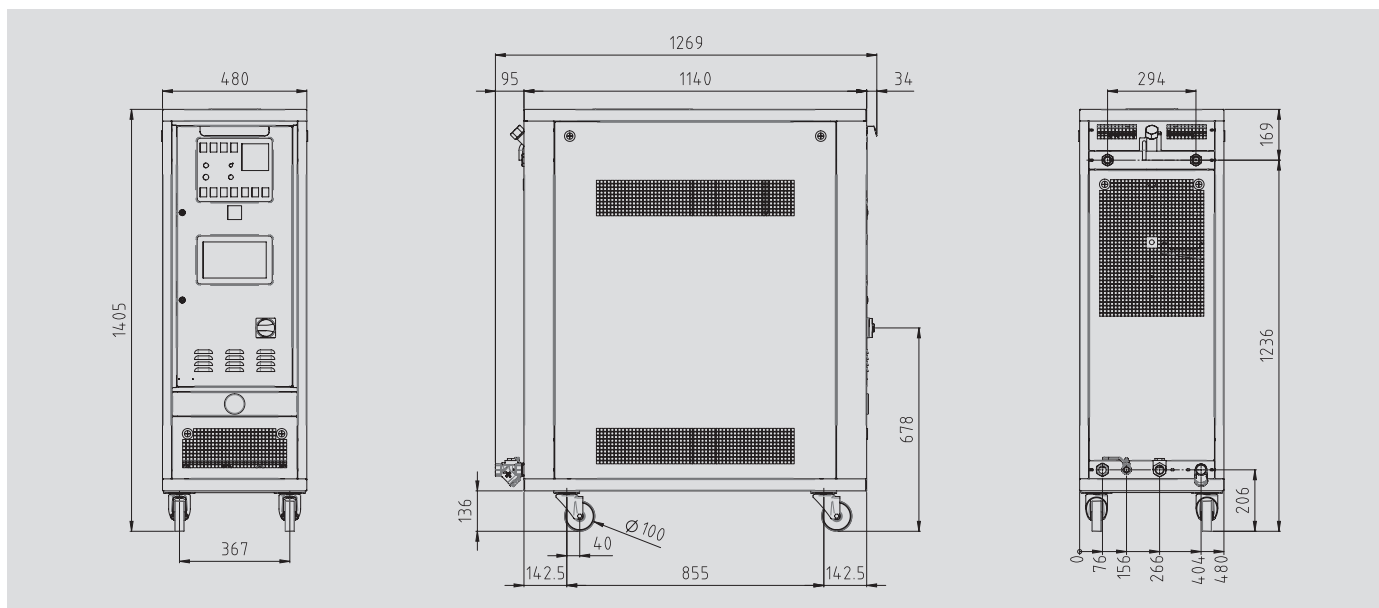
## Fluidic diagram



1 2-2 way valve (normally closed), 2 pump motor, 3 pump with reversible pumping direction, 4 tube bundle heat exchanger, 5 filter, 6 flow sensor, 7 ball valve, 8 heating element, 9 levelsensor, 10 temperature sensor, 11 safety thermostat, 12 pressure sensor, 13 non-return valve



# Technical data



|  | oil   |                      |
|--|---|----------------------|
| <b>Maximum temperature</b>                         | <b>360 °C</b>   | <b>360 °C</b>        |
| <b>Heat output</b>                                 | <b>16 kW</b>  | <b>24 kW</b>         |
| <b>Cooling capacity</b>                            | See diagram   |                      |
| <b>Filling volume (heat transfer fluid)</b>        | Minimum 15 litres, maximum 21 litres                      |                      |
| <b>Pump</b>  | <b>Type A or Z</b>  |                      |
| Pressure and flow rate                             | See diagram   |                      |
| Rated power of the motor                           | 1.5 kW  |                      |
| <b>Control system</b>                              | MP-888  |                      |
| Temperature measurement                            | Temperature sensor FeKo type J                            |                      |
| Pump pressure measurement                          | Pressure gauge  |                      |
| Flow measurement (heat transfer medium)            | Bevel gear sensor with inductive pick-up                  |                      |
| <b>Connections</b>                                 |   |                      |
| Heat transfer medium (flow and return)             | ¾" BS internal thread                                     |                      |
| Cooling water, inlet                               | 1" BS female thread, with water filter                    |                      |
| Cooling water, outlet                              | 1" BS female thread                                       |                      |
| <b>Unladen weight</b>                              | 205 kg  | 215 kg               |
| <b>Colour</b>                                      | Silver grey RAL 7001                                      |                      |
| <b>Surroundings</b>                                |   |                      |
| Temperature range                                  | 5-40 °C   |                      |
| Relative humidity                                  | 40-80 % RH (non-condensing, no ice formation)             |                      |
| <b>Installation</b>                                | Inside, ventilation openings must be at least 10 cm clear |                      |
| <b>Continuous sound pressure level</b>             | < 70 dB (A)   |                      |
| <b>Power supply</b>                                | 380-480 V, 50/60 Hz or alternatively 200-240 V, 50/60 Hz  |                      |
|  | <b>16 kW version</b>                                      | <b>24 kW version</b> |
| <b>Connected load</b>                              | 17.6 kW   | 25.6 kW              |
| <b>Conductor cross-section of connection cable</b> |   |                      |
| 200-240 V  | 16 mm <sup>2</sup>  | 25 mm <sup>2</sup>   |
| 380-480 V  | 6 mm <sup>2</sup>   | 10 mm <sup>2</sup>   |
| <b>Protection class device</b>                     | IP44  |                      |
| <b>Labelling</b>                                   | CE  |                      |