

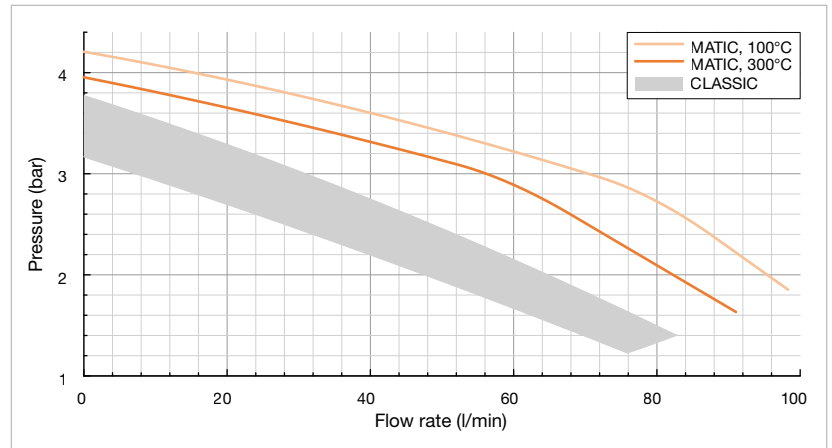


MATIC Oil

- 360 2x16 A
- 360 2x24 A
- 360 2x16 Z
- 360 2x24 Z

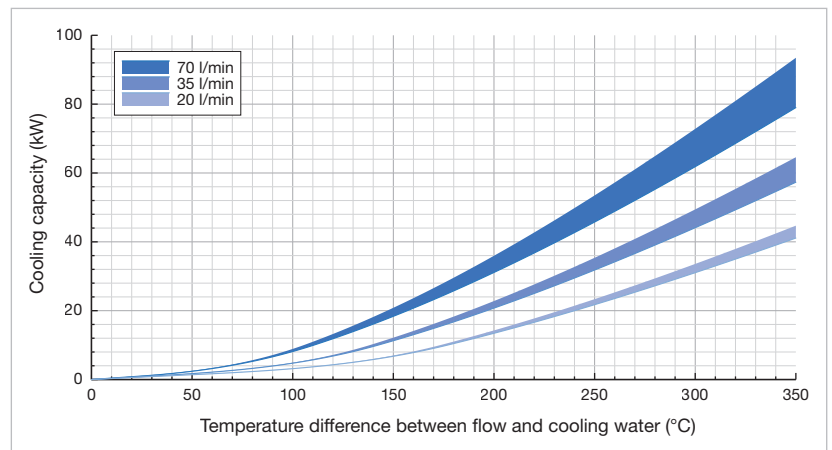
- Energy-efficient and ecological
- Modular and easy to expand
- Predefined actions
- Configurable recipes
- Intelligent connectivity
- Predictive maintenance

Pump characteristic curve



Performance data with Tool-Therm SH3 heat transfer oil

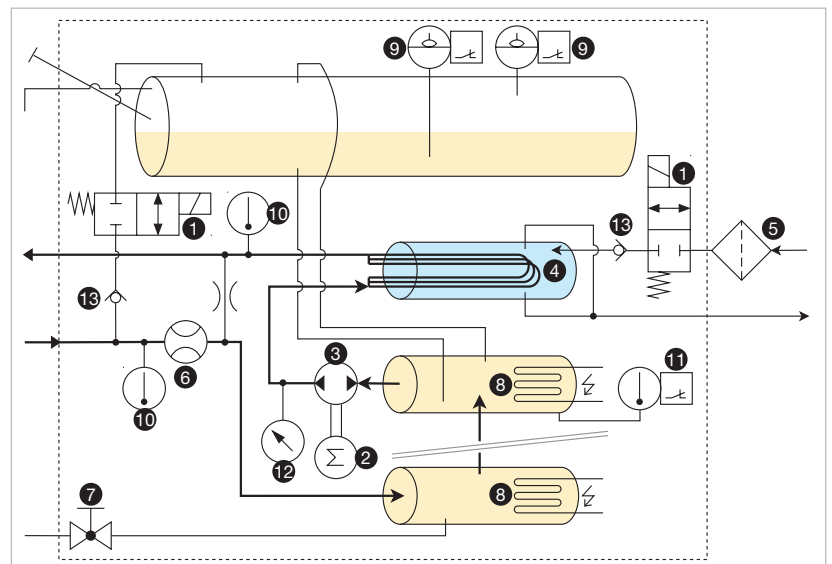
Cooling capacity



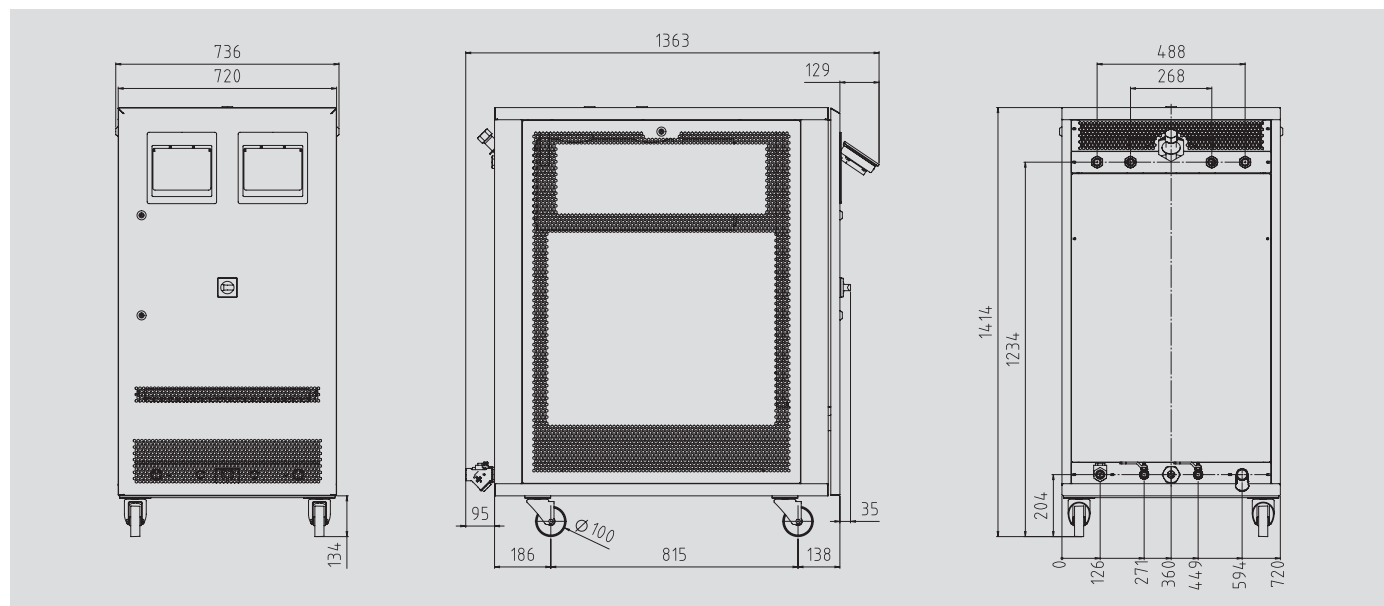
Performance data min. at 30 l/min @ 1.5 bar; max. at 72 l/min @ 8 bar cooling water



Fluidic diagram



1 2-2 way valve (normally closed), 2 pump motor, 3 pump with reversible pumping direction, 4 tube bundle heat exchanger, 5 filter, 6 flow sensor, 7 ball valve, 8 heating element, 9 levelsensor, 10 temperature sensor, 11 safety temperature limiter, 12 pressure sensor, 13 non-return valve



	oil	
Maximum temperature	360 °C (with TOOL-THERM SH-3 heat transfer oil)	
Heat output	2 x 16 kW	2 x 24 kW
Cooling capacity	See diagram	
Filling volume (heat transfer fluid)	30 litres	42 litres
Expansion volume	36 litres	
Pump	Type A or Z	
Pressure and flow rate	See diagram	
Rated power of the motor	1.5 kW	
Control system	IRIS	
Temperature measurement	3-wire Pt100 (F0.15 to IEC 60751), flow and return	
Pump pressure measurement	Piezoresistive pressure transmitter	
Flow measurement (heat transfer medium)	Vane wheel sensor with inductive pick-up	
Languages	DE, EN, ES, FR, IT, NL (expandable)	
Interfaces	Module IO1: RS232, RS485, CL 20 mA, CAN (accessories)	
OPC-UA (standard)	Module IO2: Profibus, Profinet, EtherNet/IP (accessories)	
	Module IO3: 0-10 V, 0/4-20 mA, external measurement (accessories)	
Number of extension module slots	2	2
Connections	¾" BS internal thread	
Heat transfer medium (flow and return)	1" BS female thread, with water filter	
Cooling water, inlet	1" BS female thread	
Cooling water, outlet	1" BS female thread	
Unladen weight	335 kg	375 kg
Colour	RAL 7035 light grey	
Surroundings	5-40 °C	
Temperature range	40-80 % RH (non-condensing, no ice formation)	
Relative humidity	Inside, ventilation openings must be at least 10 cm clear	
Installation	< 70 dB (A)	
Continuous sound pressure level	380-480 V, 50/60 Hz or alternatively 200-240 V, 50/60 Hz	
Power supply	2 x 16 kW version	2 x 24 kW version
Connected load	36 kW	52 kW
Conductor cross-section of connection cable	50 mm ² (not supplied)	
200-240 V	75 mm ² (not supplied)	
380-480 V	25 mm ²	35 mm ² (not supplied)
Protection class device	IP44, IP54 optional	
Labelling	CE, UL-ready	